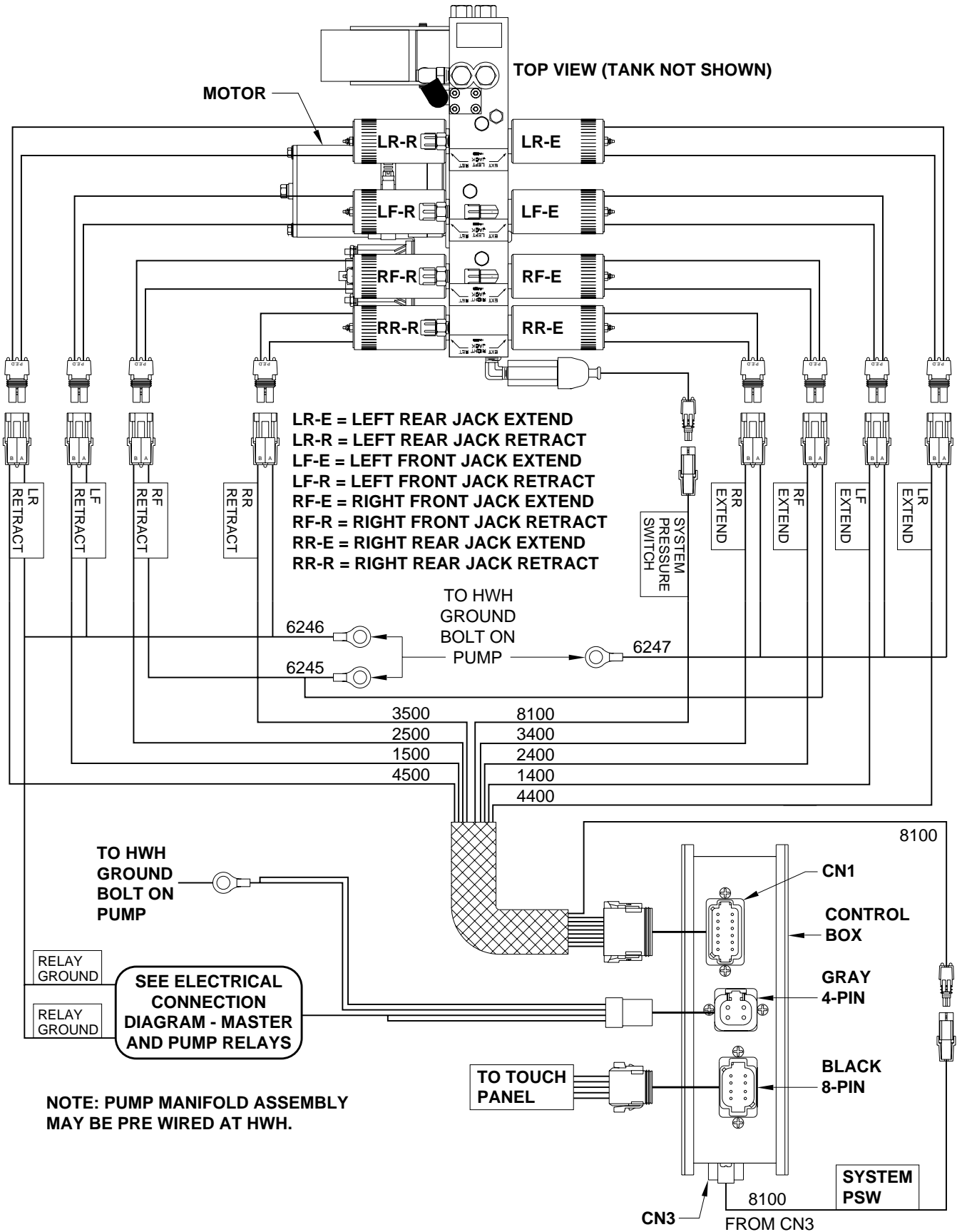


ELECTRICAL CONNECTION DIAGRAM

2000 SERIES CAN SYSTEM FOR TRAILERS

LEVELING MANIFOLD CONNECTIONS



NOTE: PUMP MANIFOLD ASSEMBLY MAY BE PRE WIRED AT HWH.